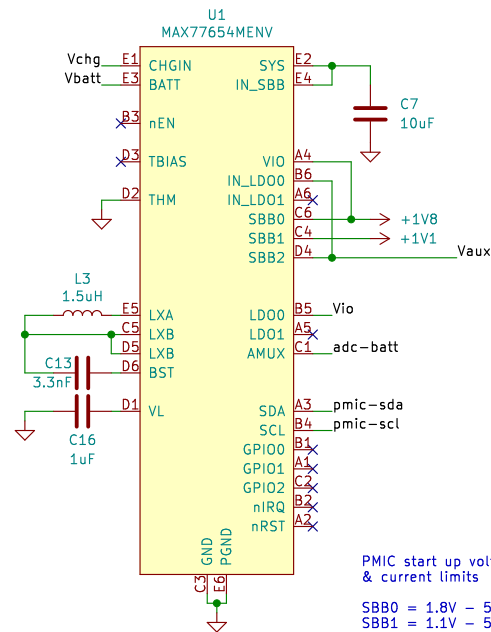
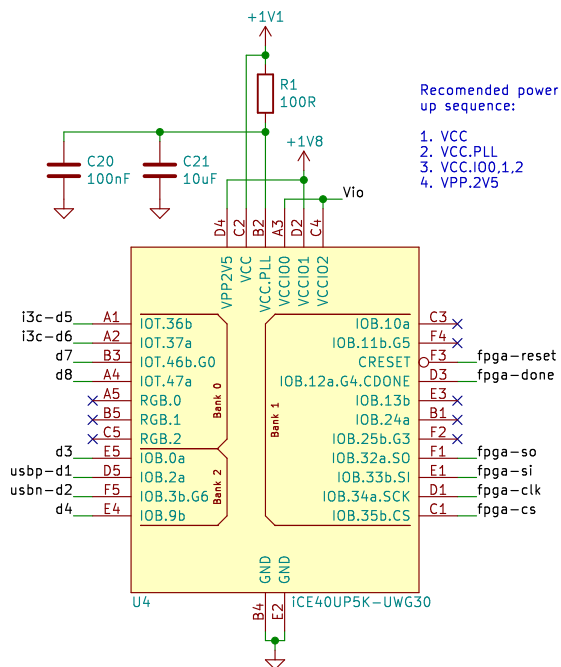


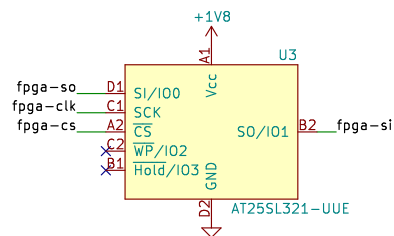
Bluetooth IC

FPGA

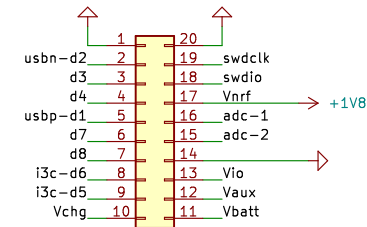


Power Manager

Flash Memory



User IO



Decoupling/Bypass

Copyright 2022 (C) Silicon Witchery
 Schematic licenced under: CERN OHL-P-v2
 Engineer: Raj Nakarja (info@siliconwitchery.com)

SILICON[®]
WITCHERY

Silicon Witchery AB
 Sheet: /
 File: s1-module.kicad_sch

Title: S1 Module
 Size: A4 Date: 2021-12-05
 KiCad E.D.A. eeschema (6.0.9-0)

Rev: 5
 Id: 1/1