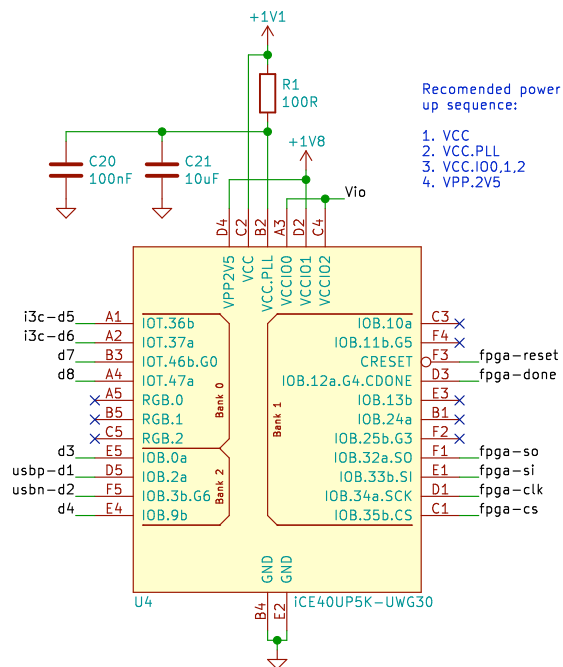


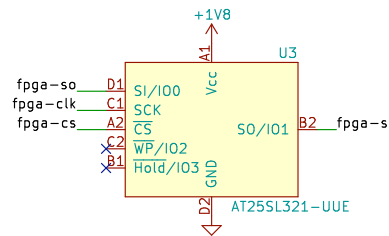
Bluetooth IC

FPGA

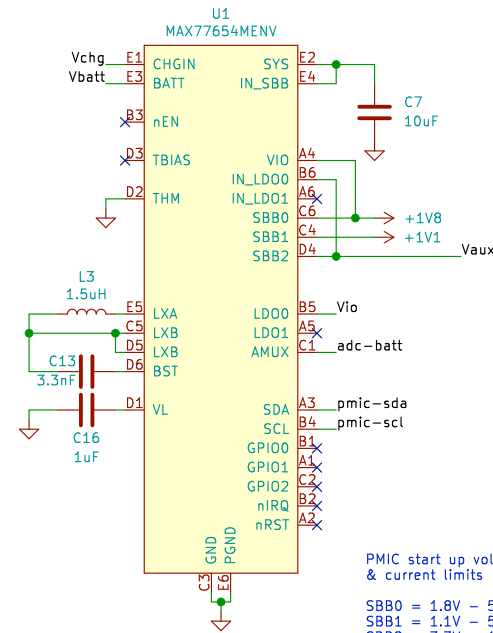
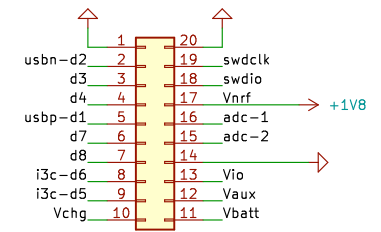


Power Manager

Flash Memory

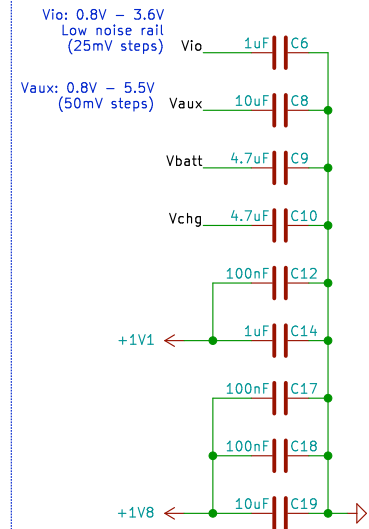


User IO



PMIC start up voltages & current limits

SBB0 = 1.8V - 500mA
 SBB1 = 1.1V - 500mA
 SBB2 = 3.3V - 1A
 LD00 = 1.6V - 100mA



Decoupling/Bypass

Copyright 2021 (C) Silicon Witchery
 Engineer: Raj Nakarja (info@siliconwitchery.com)

SILICON[®]
WITCHERY

Silicon Witchery AB

Sheet: /
 File: s1-module.sch

Title: S1 Module

Size: A4 Date: 2021-12-05
 KiCad E.D.A. kicad (5.1.9-0-10_14)

Rev: 5
 Id: 1/1